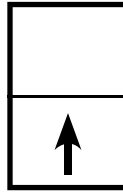




QUAKER
COMMERCIAL WINDOWS AND DOORS



B500 Series
AW-PG50
3 1/4" Frame Depth
Single Hung

B500 SERIES SINGLE HUNG

The Quaker Blast B500 Series Single Hung window is specially glazed specifically designed to meet ASTM F1642-04 (Standard Test Method for Glazing and Glazing System Subject to Airblast Loadings) resulting in a high GSA/ISC Performance Condition.

FEATURES

- ◇ **Commercial Framing System**
 - 3 1/4" main frame
 - 0.062" wall thickness of frame and sash
- ◇ **Thermally Enhanced Design**
 - Azon pour and debridge thermal break is 1/2" wide in all main frame and vent rail extrusions
 - Double fin-type weatherstripping
 - Full width lift handles
- ◇ **Glazing**
 - 1" insulated glass
- ◇ **Hardware**
 - Block and tackle balancers
 - Gravity latch
- ◇ **Screen**
 - Extruded aluminum screen frame with BetterVue™ mesh

OPTIONS

- ◇ **Available Configurations**
 - Single hung
 - Oriel single hung
- ◇ **Muntin Choices**
 - Internal or simulated divided lites available
- ◇ **Hardware**
 - Class 5 balancers
 - Limited travel latch
- ◇ **Nailing Fin**
- ◇ **Screen**
 - Extruded aluminum screen frame with aluminum wire mesh
 - Extruded aluminum screen frame with sunscreen mesh
 - Extruded aluminum screen frame with stainless steel 0.009" thickness mesh
- ◇ **Glazing**
 - Capillary tubes
 - Argon gas
 - Wide variety of glazing, tinting and thickness options
- ◇ **Panning & Trim Choices**
 - Wide variety of panning, receptor and Blast snap trim available
- ◇ **Mulling**
 - Wide variety of structural mulls

BENEFITS

- ◇ The capacity to match exterior colors for unique project facades
- ◇ The ability to facilitate large sizes for taller and wider window openings

PERFORMANCE

- ◇ Structural & Blast (test reports or thermal simulations available upon request)

Model	Single Hung
AAMA/WDMA/CSA 101/I.S.2/A440-08 Rating	AW-PG50
Structural Load P.S.F.	75.19
Air at 50 MPH (cfm/ft ²)	0.03
Water (No Penetration) P.S.F.	10.03

Window test size: 60" × 99"
Operating Force: 19 lbf (maintain motion), 1 lbf (gravity latches)

Hazard Rating	Minimal Hazard
Peak Blast Pressure	6.3 psi
Positive Phase Impulse	45 psi-msec
Positive Phase Duration	15 msec

Window test size: 48" × 66"



Our products are tested to the standards of and certified by the American Architectural Manufacturer's Association, the National Fenestration Rating Council and the Window & Door Manufacturers Association.

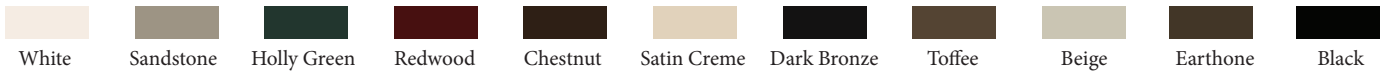


QUAKER
COMMERCIAL WINDOWS AND DOORS

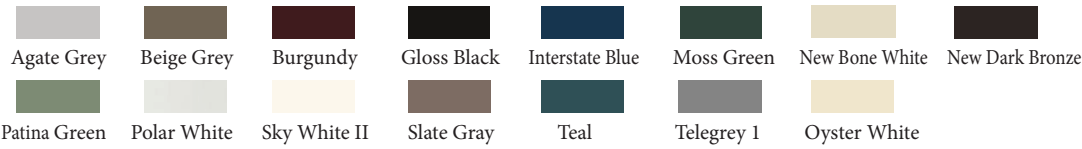
ARCHITECTURAL PAINT COATINGS AND FINISHES

◇ Baked on powder coat finish meets ANSA/AAMA 2604 specs and is available in unlimited colors

- 11 Popular Colors



- 15 Impressive Colors



- 7 Resemble Colors (painted finish resembling anodized)



- Unlimited Custom Colors

◇ ANSA/AAMA 2605 powder coat finishes

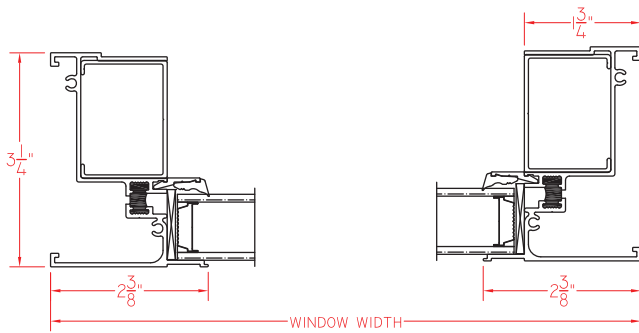
◇ AAMA 611-98 Class I clear and tinted anodized finishes

* Printed colors shown here may not accurately depict actual painted colors. Color samples are available upon request.

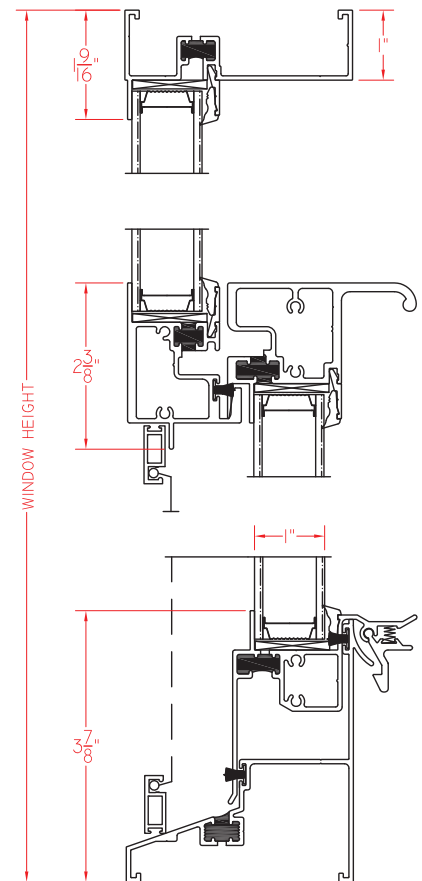
B500 Single Hung

This document contains confidential and proprietary information intended for the private use of Quaker.
 © 2016 Quaker Window Products Co., INC. All rights reserved.
 Quaker reserves the right to change any/all designs without notice. Due to periodic re-certification requirements, result shown may vary.

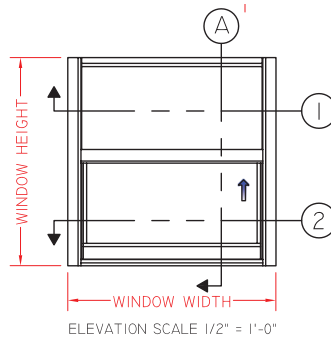
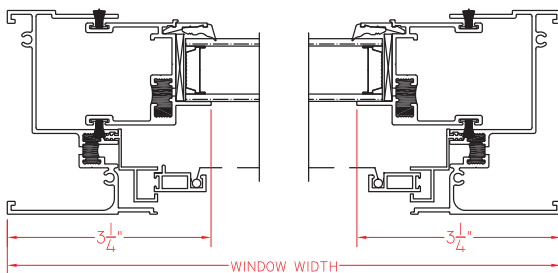
① Horizontal Cross Section



Ⓐ Vertical Cross Section



② Horizontal Cross Section



Our products are tested to the standards of and certified by the American Architectural Manufacturer's Association, the National Fenestration Rating Council and the Window & Door Manufacturers Association.

